

[ENM Counting Instruments](#) > [Electrical Counters](#) > [E6B Electrical Counter - Two-Hole Panel Mount](#) > [T14 DC Powered Hour Meter II.](#) > [T14 DC Powered Hour Meter I.](#) > [T18 AC Powered Hour Meter III.](#) > [T18 AC Powered Hour Meter II.](#) > [T32 AC/DC DIN Rail Mount Hour Meter](#) > [T40 Quartz DC Hour Meter](#) > [T40 3-Hole Quartz DC Hour Meter](#) > [T40 Square Mount Quartz DC Hour Meter II.](#) > [T41 Quartz DC Hour Meter II.](#) > [T41 Quartz DC Hour Meter I.](#) > [T50 Quartz AC Hour Meter I.](#) > [T50 Quartz AC Hour Meter II.](#) > [T50 Square Mount Quartz AC Hour Meter - Brushed Aluminum](#) > [T51 Quartz AC Hour Meter II.](#) > [T51 Quartz AC Hour Meter I.](#) > [T12C AC Powered Hour Meter](#) > [T1100 Series LCD Hour Meter/C1100 Series Counter](#) > Item # T1101AB

**Item # T1101AB T1100/C1100 LCD Hour Meter/Counter**



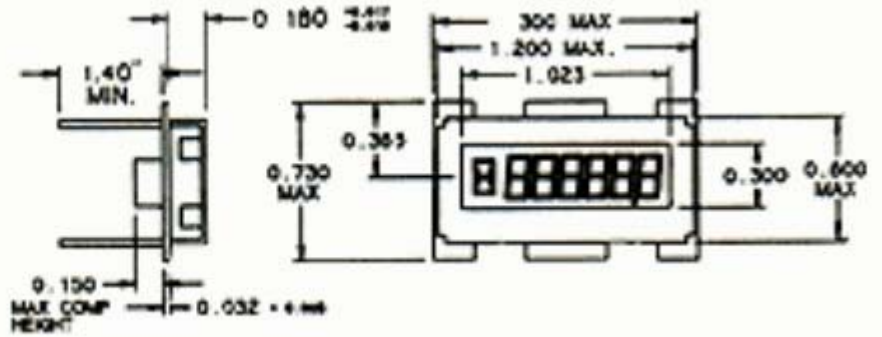
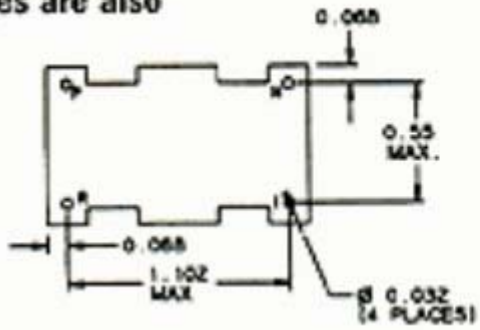
**T1100/C1100 LCD Hour Meter/Counter**  
T1100 LCD Hour Meter - Black Bezel Hour Meter

**Specifications**

<b>Voltage</b>	8-28 V DC
<b>Case</b>	Black bezel hour meter
<b>Reset</b>	Yes
<b>Display Digits</b>	6-Digit

Dimensional Drawing

28 VDC, other  
cases are also



# LCD Hour Meter-Counter-Module

## ELECTRONICS



T1101AB



T1101AS



C1101AB



C1101AS

ENM's new series T1100 Hour Meter timer features a 6-digit, 7 segment LCD display. This model is ideal for maintenance applications. The Hour Meter model displays an hour glass and decimal point. The accumulated hours are stored on powerless, non-volatile data backup using CMOS EEPROM technology, where small space and reliable instruments are required with memory that does not rely on a battery.

PART NO.	VOLTAGE	CASE
T1101AB	8-28VDC	Black Hour Meter
T1101AS	8-28VDC	Chrome Hour Meter
C1101AB	8-28VDC	Black Counter
C1101AS	8-28VDC	Chrome Counter

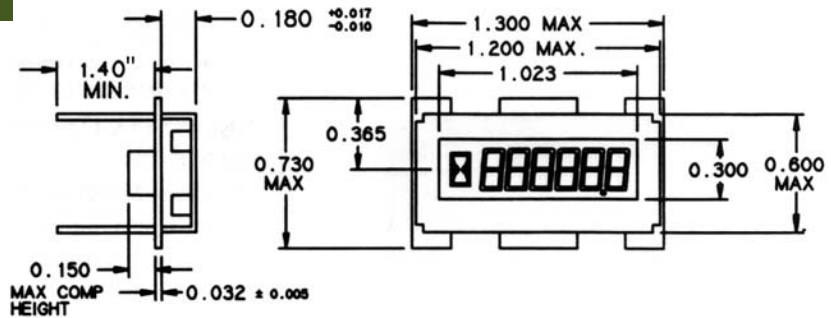
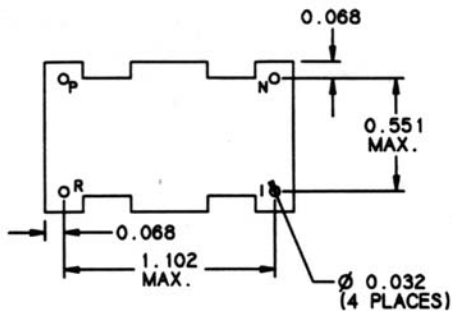
### Specifications

Capacity:	99999.9 Hour meter (00 to 999999) Up Counter (999999 to 00) Down Counter Automatic recycle to zero.
Display height:	6 digits, 5mm LCD
Operating voltage:	8-28VDC, other AC and DC voltages are also available
Count speed:	100 C.P.S.
Operating current:	3mA maximum 8 to 24Vdc and 10mA @ 28Vdc
Operating temperature:	Standard -40C to +85C
Vibration resistance:	Withstands 10 to 75 Hz. at 1 to 8 Gs.
Shock resistance:	SAEJ137853G
Accuracy:	Better than +/-0.01%
Humidity:	95%RH+32C for 2 hours
Protected from:	Alternator load dump, inductive switching and reverse polarity.
Memory capacity:	Cmos Eeprom. Nonvolatile memory has data retention in excess of 10 years without power.
Bezel style:	Chrome or Black are available.

### Features

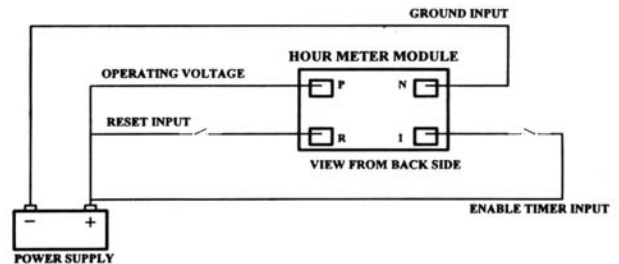
- Non-volatile memory (no battery)
- High reliability
- Low cost and small size
- Low operating current
- Wide operating voltage and temperature range
- Very high shock and vibration specs
- Non reset option available
- Solid state electronics
- Quartz crystal
- Made in the USA

### T1100 LCD HOUR METER

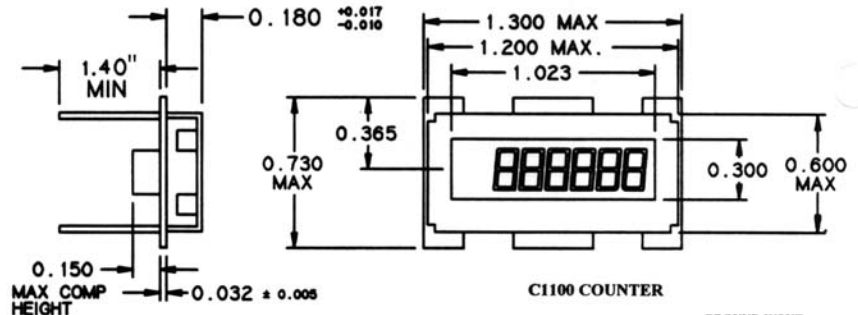
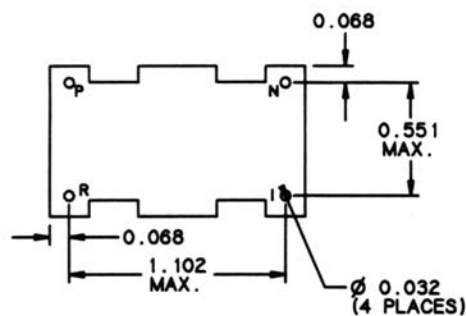


T1100 TIMER

T1101AB Black Bezel Hour Meter  
T1101AS Chrome Bezel Hour Meter

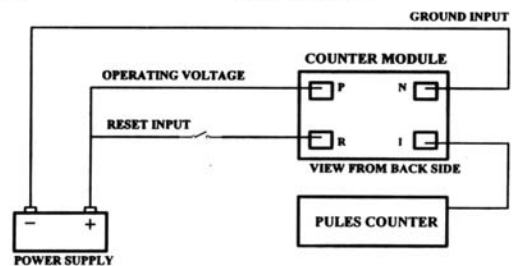


### C1100 COUNTER MODULE



C1100 COUNTER

C1101AB Black Bezel Counter  
C1101AS Chrome Bezel Counter



#### LIMITED WARRANTY

ENM Company products are warranted to the consumer to be free from defects in material and workmanship for a period of 1 year. All ENM products which fall within the warranty period due to defects in material or workmanship will be repaired or replaced, at ENM's option, without charge to the consumer when returned with proof of purchase to any authorized ENM dealer in the United States, transportation charges prepaid, provided there is no evidence of improper installation, tampering, or other abuse. All implied warranties, including any implied warranty of merchantability or fitness for a particular purpose, shall be limited in duration to the express warranty period specified above.

ENM disclaims any liability for consequential damages due to breach of any written or implied warranty on its products.